

24 hour, Single Channel Plug-in Mechanical Programmer – Part No. CT100001

The clock allows you to set the times at which the boiler will operate to provide central heating. It does not affect the supply of domestic hot water, which is always available

This timer is suitable for installation as a time controller for:

ATAG iC 24 Combi

ATAG iC 28 Combi

ATAG iC 36 Combi

ATAG iC 40 Combi

ATAG Economiser 27

ATAG Economiser 35

ATAG Economiser 39



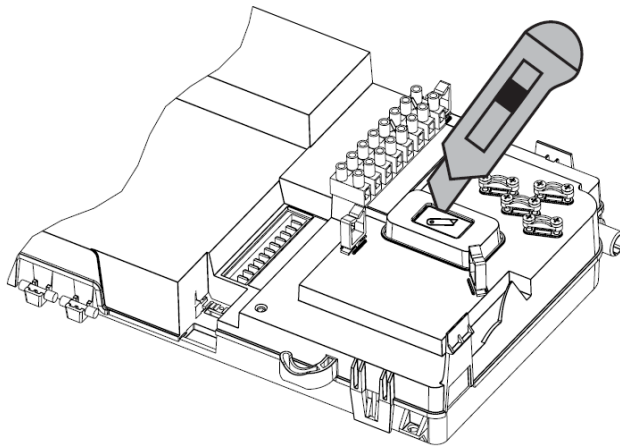
WARNING. This unit must be installed by a skilled electrician in accordance with the current I.E.E. Wiring Regulations.

ALWAYS switch off and disconnect the electricity supply to the appliance before installing the programmer. Merely switching the boiler ON/OFF switch to 'OFF' will still leave a live feed to the boiler.

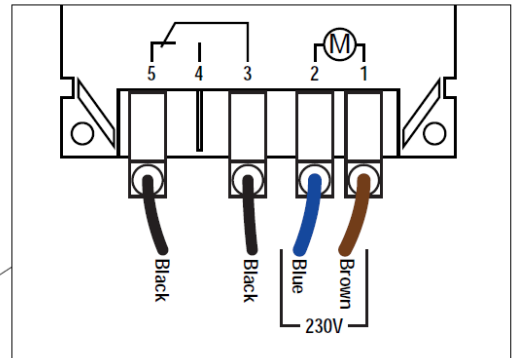
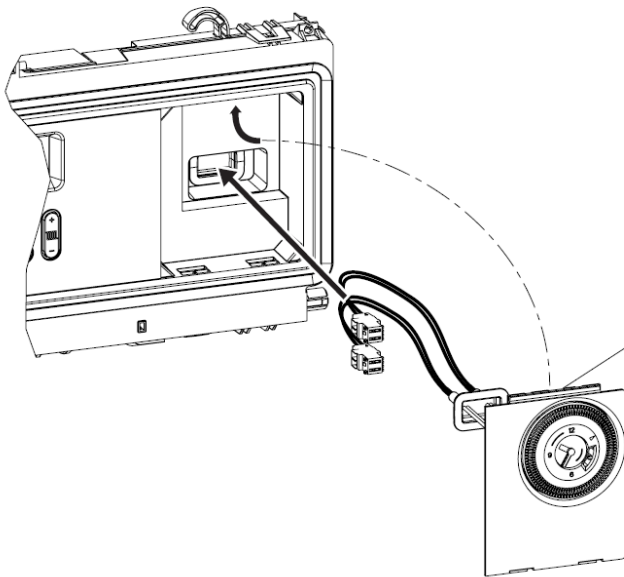
To install the programmer

1. Turn the power off to the boiler
2. Remove the boiler front panel and swing the control panel into the service position. Refer to boiler Installation & Servicing Manual.
3. With a sharp knife, cut out the small plastic cutaway (fig 1) to allow the wires to go through and the wires grommet to secure into position.
4. Remove the blank clock control panel and feed the wires through to the back (fig 2). Fit the new clock front panel into the fascia of the boiler.
5. Check the wires grommet is in the correct position (fig 3).
6. Fit the white connector with two black wires onto the volt free connection next to the white label of a radiator and clock symbol (fig 4).
7. Remove the small electrical blanking cover and fit the White connector with brown and blue wires to the 230v ac connection terminals (fig 4).
8. Secure the wires in to wire clips as shown in fig 5.
9. Swing the control panel back up into operating position.
10. Power up the boiler and check for correct operation.

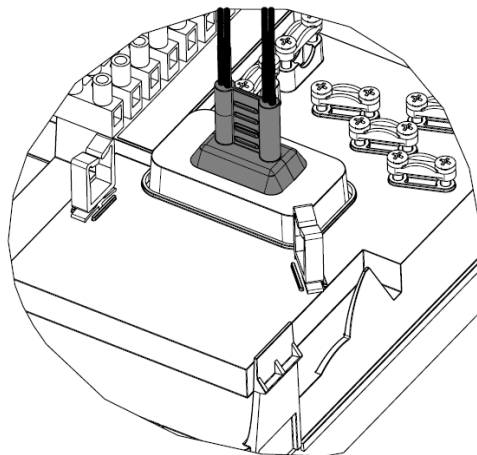
1

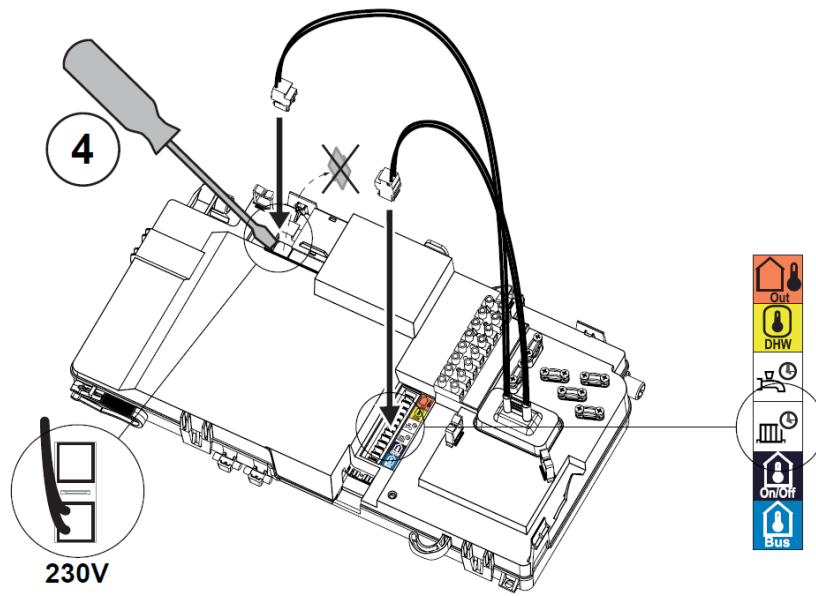


2

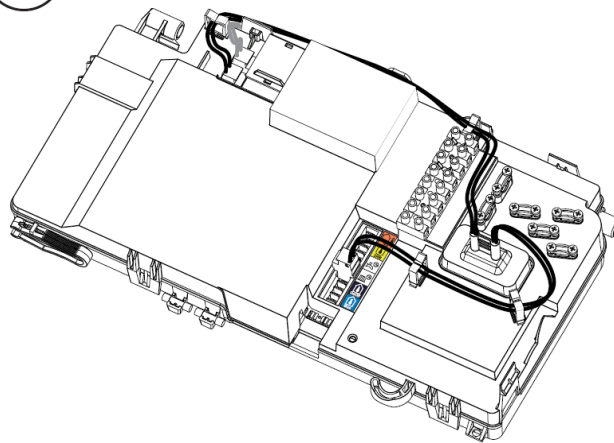


3





5

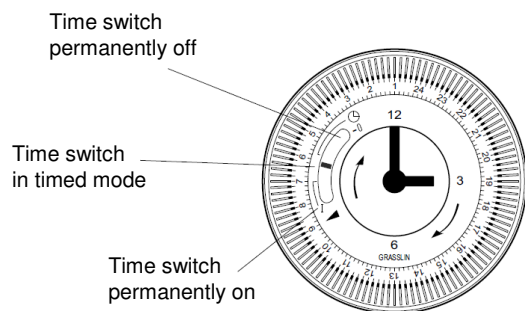
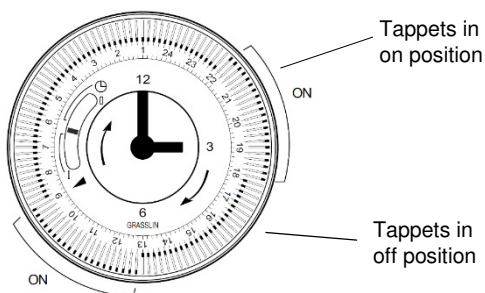


Note: Boiler volt free connections switch on via an open switch and off with a closed switch on the two white terminals.

Setting instructions

1. To set current time, rotate minute hand until arrow-head aligns with correct time.
2. To set ON/OFF times, move all tappets between ON and OFF times required to outer position. I.E. to set ON at 7.30a.m. and OFF at 10.30 a.m. move all tappets between 7.30 and 10.30 to outer position (see fig. 1).
3. Set any other ON/OFF times required in a similar manner to step 2 above.
4. Manual Override switch (see fig. 2)
 - In position 1 the time switch is permanently ON irrespective of tappet positions.
 - In position 2 the time switch is operating on timed control as determined by tappet positions.
 - In position 3 the time switch is permanently OFF irrespective of tappet positions.

Each tappet represents 15 minutes.



Warranty

This control is guaranteed against manufacturing defect for a period of 12 months from the date of installation.

This Guarantee does not cover replacement of cosmetic damage to the controller.